



TX Series Ultra Low Profile Wrenches From 3/4" to 6 1/8" a/f

The WORLD'S Most Innovative

Low Clearance Hydraulic Torque Wrench

While we hate to admit it, sometimes size does matter. The TorcUP TX. Unrivaled design. Unbelievable reliability. Uncommon features like the patented "peanut-shaped" piston, inline reaction pad, and flat design from cylinder to link. Easy to find in any tool room. Sized to fit. We have the largest stock inventory of the TX line, more than any other competitor in the world. In fact, we have more stock than a few of those competitors combined.



TX Series Features

Patented "Peanut-Shaped Piston"

This feature allows for the cylinder and ratchet link to be the same width. Friction reducing sliders prevent wear on the piston.



Dual Independent Swivels

360° x 360° swivels allow for individual movement of duplex hoses. Steel construction adds durability.



Hex Link Cassettes

Steel alignment pins connect lower reaction area for added strength.



Quick Connect Couplers

Each tool is fitted with quick connect, no-drip, threadless safety couplers, with 4:1 safety ratio.



Cylinder and Link Material

Both cylinder and link are manufactured from 4340 Aircraft high strength steel alloy.



Nose Radius

Tight nose radius allows this tool to fit applications where clearance constraints make other tools too bulky.





In-Line Reaction Pad

This design ensure torsion-free reaction every time.

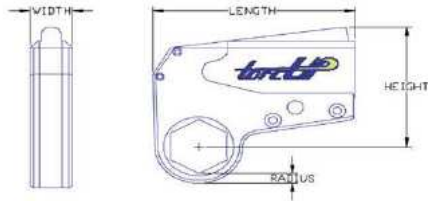


Link Pin

One pin for link to cylinder engagement - no tool required for swapping ratchet links.



The TorcUP Patented Peanut Shape Piston design assures that your application will have the correct torque everytime.

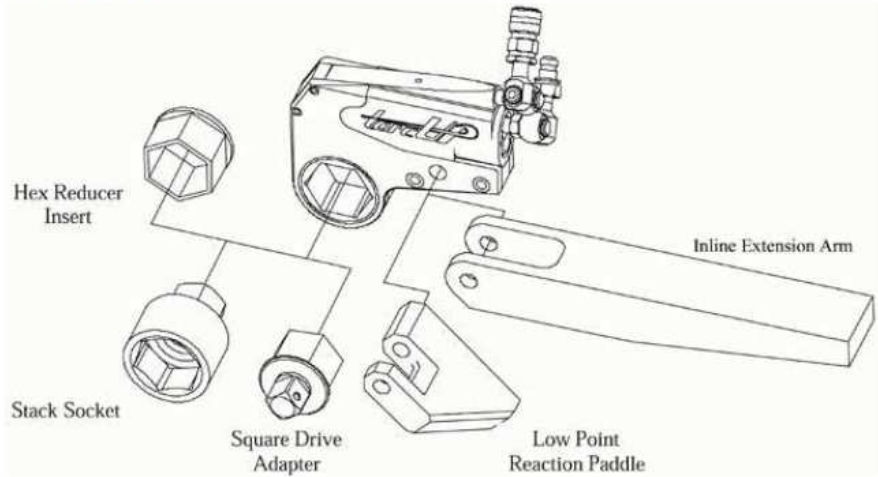


TX Series Technical and Dimensional Data

Part Number	TX-1	TX-2	TX-4	TX-8	TX-16	TX-32	TX-45
Hex Range From	5/8" 17mm	3/4" 19mm	1" 25mm	1 7/8" 50mm	2 5/8" 65mm	3 1/8" 80mm	3 1/8" 80mm
Hex Range To	1 5/8" 41mm	2 3/8" 60mm	3 1/8" 80mm	4" 105mm	4 5/8" 115mm	6 1/8" 155mm	6 1/8" 155mm
Minimum Torque(Ft/lbs)	45	192	395	830	1560	3220	4850
Maximum Torque (Ft/lbs)	560	1928	3950	8630	16600	35650	47380
Minimum Torque (Nm)	61	260	535	1125	2155	4365	6575
Maximum Torque (Nm)	759	2614	5355	11699	22503	48327	64228
Output Accuracy	+3%	+3%	+3%	+3%	+3%	+3%	+3%
Repeatability	100%	100%	100%	100%	100%	100%	100%
Duty Cycle	100%	100%	100%	100%	100%	100%	100%
Cylinder Weight (lbs)	1	3.50	6.00	11.70	16.00	26.00	29.00
Cylinder Weight (Kg)	0.45	1.50	2.70	5.00	7.30	11.50	13.00
Link Weight From (lbs)	1	2.40	5.40	11.90	21.00	29.00	29.00
Link Weight To (lbs)	1	3.50	7.60	14.50	28.00	39.50	39.50
Link Weight From (Kg)	0.45	1.00	2.40	5.50	9.50	13.00	13.00
Link Weight To (Kg)	0.45	1.50	3.40	6.50	13.00	17.90	17.90
Length	4.37/111.0	6.45/163.8	7.87/199.9	10.20/259.1	12.93/328.4	15.8/401.3	16.75/425.5
Weight	3.25/82.6	4.00/101.6	5.60/142.2	7.00/177.8	7.58/192.5	9.50/241.3	10.28/261.1
Width	0.78/19.8	1.25/31.8	1.63/41.4	2.05/52.1	2.50/63.5	3.24/82.3	4.88/124.0
Radius	0.23/5.8	0.36/9.1	0.46/11.7	0.54/13.7	0.65/16.5	0.93/23.6	0.93/23.6



TX Series Accessories



TX Series Accessory Part Numbers

Part Number	Description	Part Number	Description
AHR2-###-###	TX-2 Hex Reducer (Any Size)	TX-2RP	TX-2 Low Point Reaction Paddle
AHR4-###-###	TX-4 Hex Reducer (Any Size)	TX-4RP	TX-4 Low Point Reaction Paddle
AHR8-###-###	TX-8 Hex Reducer (Any Size)	TX-8RP	TX-8 Low Point Reaction Paddle
AHR16-###-###	TX-16 Hex Reducer (Any Size)	TX-16RP	TX-16 Low Point Reaction Paddle
AHR32-###-###	TX-32 Hex Reducer (Any Size)	TX-32RP	TX-32 Low Point Reaction Paddle
AHS2-###-###	TX-2 Hex to Square Drive Adapter (Any Size)	TX-2-EXT	TX-2 Inline Extension Arm
AHS4-###-###	TX-4 Hex to Square Drive Adapter (Any Size)	TX-4-EXT	TX-4 Inline Extension Arm
AHS8-###-###	TX-8 Hex to Square Drive Adapter (Any Size)	TX-8-EXT	TX-8 Inline Extension Arm
AHS16-###-###	TX-16 Hex to Square Drive Adapter (Any Size)	TX-16-EXT	TX-16 Inline Extension Arm
AHS32-###-###	TX-32 Hex to Square Drive Adapter (Any Size)	TX-32-EXT	TX-32 Inline Extension Arm

