

RIV 500 Pneumatic Tool for extra long Blind Rivets

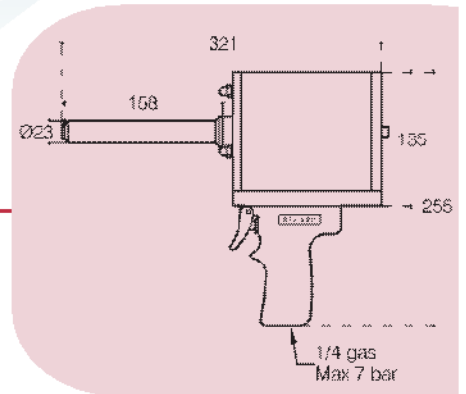


Code 32602

Operating System.

The pneumatic RIV 500 tool is designed to place extra long blind rivets. All the common commercial tools have a maximum stroke of 25 mm. The requirements of the market, with particular regard to the roofing field, called for a new riveting tool with a much longer stroke, in order to speed up the placing of FIORIV blind rivets, which can be longer than 40 mm.

RIV 500 has a total working stroke of 100 mm. It is fitted out for blind rivets \varnothing 5.0.



Example of set extra long blind rivets.

Technical data and features

Nominal air pressure	6 bar
Min-max air pressure	5/7 bar
Air consumption per cycle (6 bar)	5 lt
Stroke	100 mm
Pull force (6 bar)	6100 N
Weight	2.4 kg

Performances

Description	\varnothing
Fioriv extra long Blind Rivets	4.8 - 6.4

Accessories on request

Description	Code
Nosepiece for rivets \varnothing 6.4	17811

